

NOTES :

- 1.MATERIAL : HOUSING - HIGH TEMP. NYLON, GLASS FILLED, UL 94V-0  
COLOUR : SEE SHEET 6 AND 7  
LATCH - HIGH TEMP NYLON, GLASS FILLED, UL 94V-0  
COLOUR : SEE SHEET 6 AND 7  
TERMINAL : COPPER ALLOY.
- 2.TERMINAL PLATING - SEE TABLE ON SHEET 6.
- 3.CARD SLOT ACCEPTS 1.27±0.10MM MODULE THICKNESS  
(MEASURED FROM P.C. PADS).
- 4.PRODUCT SPECIFICATION: SEE TABLE ON SHEET 6.
- 5.PRODUCT SHALL BE PACKED IN TRAY.
6. MOLEX LOGO, DATE & PART NO. INDICATED ON HOUSING.
7. MODULE SEATING PLANE FROM TOP OF PCB.
8. KEEP OUT ZONE RESERVED FOR LATCH.

THIS DESIGN IS BASED ON DESIGN OBJECTIVES AND IS STRICTLY TENTATIVE. IT MAY CHANGE BASED ON RESULTS OF ADDITIONAL DESIGN REVIEWS & VERIFICATIONS.

ADD OPTION EC NO: S2008-0176 DRWN: YTYANG01 CHKD: CGTAN APPR: SHLENI	2008/03/18 2008/03/18 2008/03/18	DESCRIPTION QUALITY SYMBOLS ▽=0 ◻=0	GENERAL TOLERANCES (UNLESS SPECIFIED)		DIMENSION STYLE MM ONLY		SCALE NTS	DESIGN UNITS METRIC	THIRD ANGLE PROJECTION
				mm	INCH	DRAWN BY YTYANG01	DATE 2006/08/11	TITLE DDR3 DIMM, 100MM PITCH 240 CKTS, VERTICAL T/H	
			4 PLACES	± ---	± ---	CHECKED BY SHLENI	DATE 2006/09/07		
			3 PLACES	± ---	± ---	APPROVED BY GGLEE	DATE 2006/09/07		
			2 PLACES	± 0.2	± ---				
			1 PLACE	± ---	± ---				
			ANGULAR ± 1 °		MATERIAL NO. SEE TABLE		DOCUMENT NO. SD-78079-001		SHEET NO. 1 OF 7
			DRAFT WHERE APPLICABLE MUST REMAIN WITHIN DIMENSIONS		SIZE A3		THIS DRAWING CONTAINS INFORMATION THAT IS PROPRIETARY TO MOLEX INCORPORATED AND SHOULD NOT BE USED WITHOUT WRITTEN PERMISSION		

10 9 8 7 6 5 4 3 2 1

F

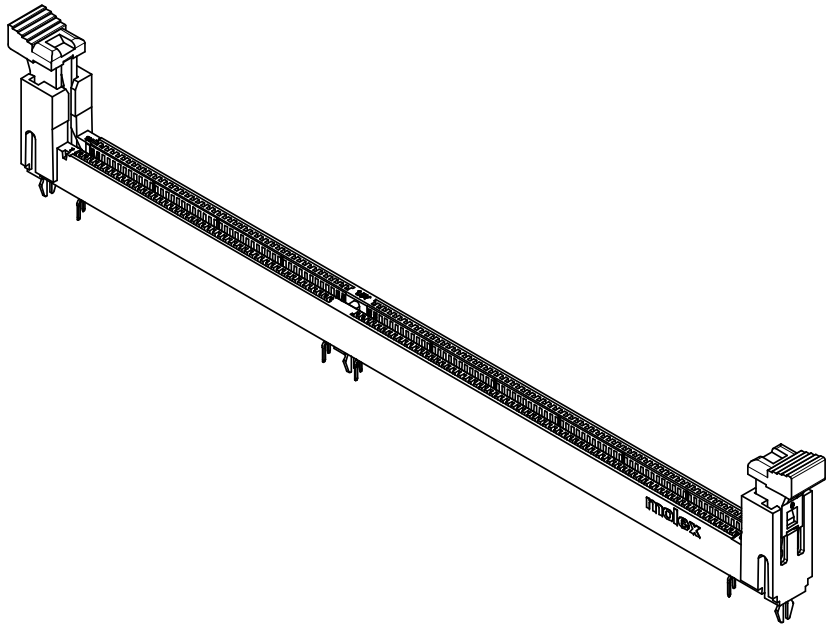
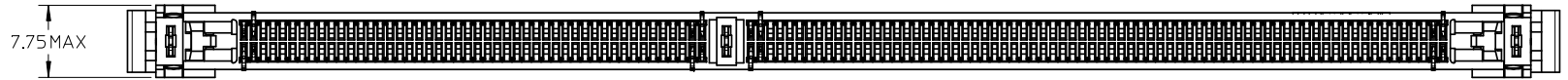
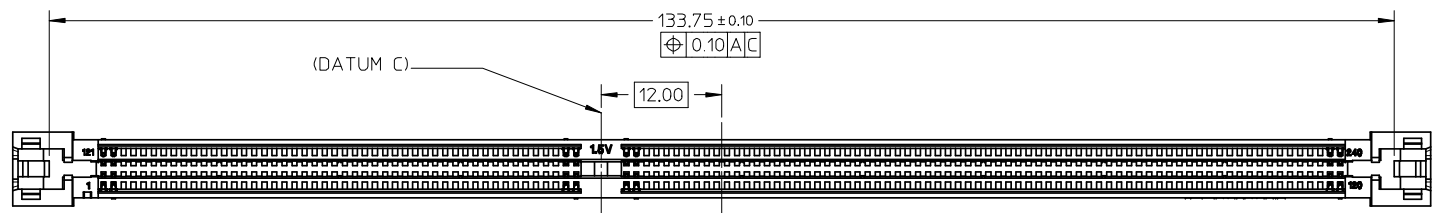
E

D

C

B

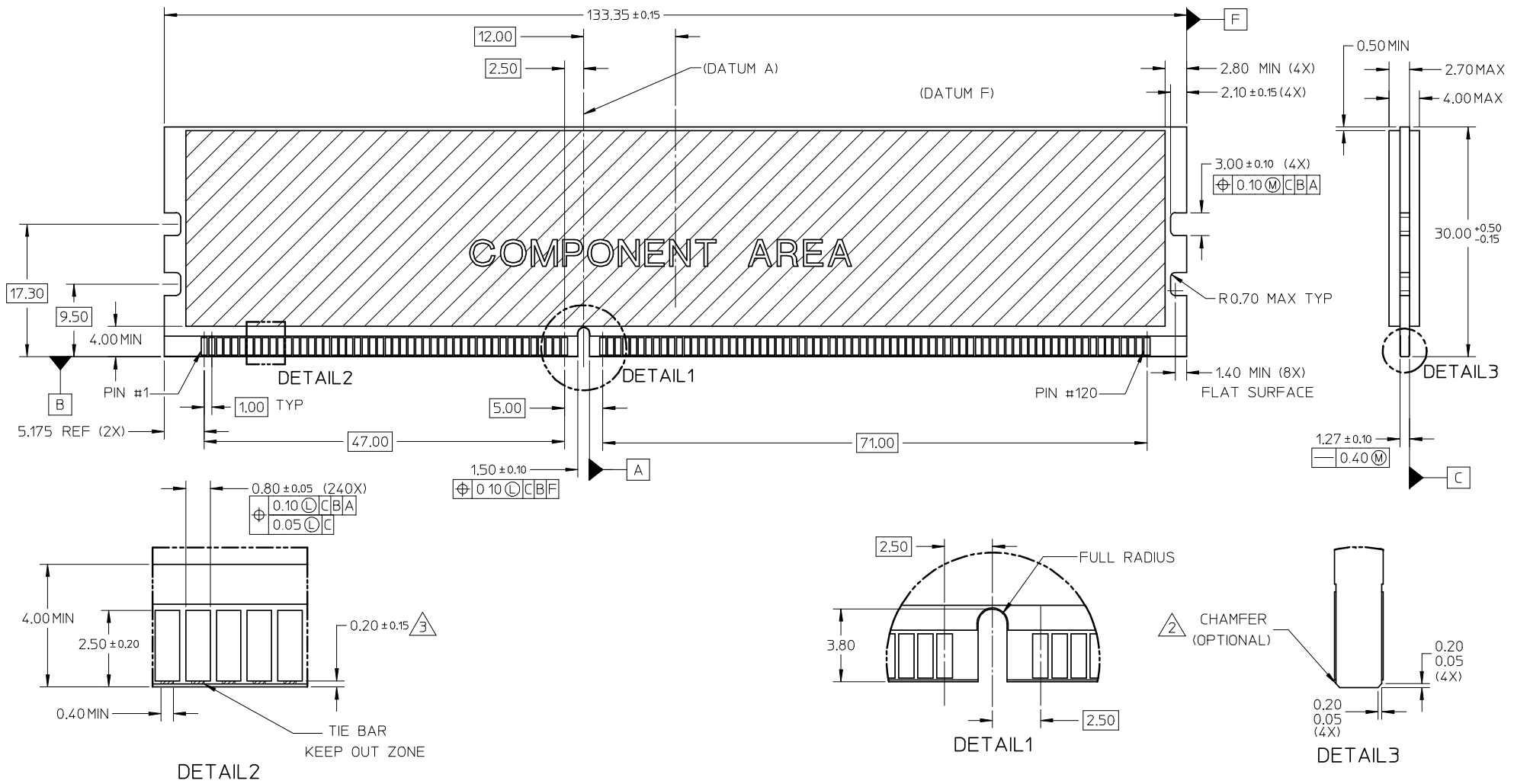
A



ADD OPTION EC NO: S2008-0176 DRWN: YTYANG01 CHKD: CGTAN APPR: SHLENI	2008/03/18 2008/03/18 2008/03/18	DESCRIPTION REV	QUALITY SYMBOLS ▽=0 ◻=0	GENERAL TOLERANCES (UNLESS SPECIFIED)		DIMENSION STYLE MM ONLY		SCALE NTS	DESIGN UNITS METRIC	THIRD ANGLE PROJECTION	
				4 PLACES ± --- ± --- 3 PLACES ± --- ± --- 2 PLACES ± 0.2 ± --- 1 PLACE ± --- ± ---	mm    INCH	DRAWN BY YTYANG01	DATE 2006/08/11	TITLE DDR3 DIMM, 1.00MM PITCH 240 CKTS, VERTICAL T/H			
			ANGULAR ± 1 °		APPROVED BY GGLEE	DATE 2006/09/07	MOLEX INCORPORATED				
			DRAFT WHERE APPLICABLE MUST REMAIN WITHIN DIMENSIONS		MATERIAL NO. SEE TABLE	DOCUMENT NO. SD-78079-001	SHEET NO. 2 OF 7				

9 8 7 6 5 4 3 2 1

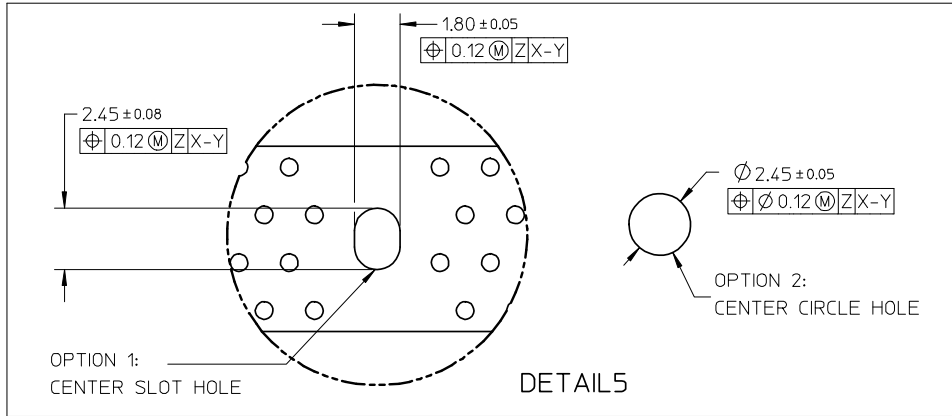
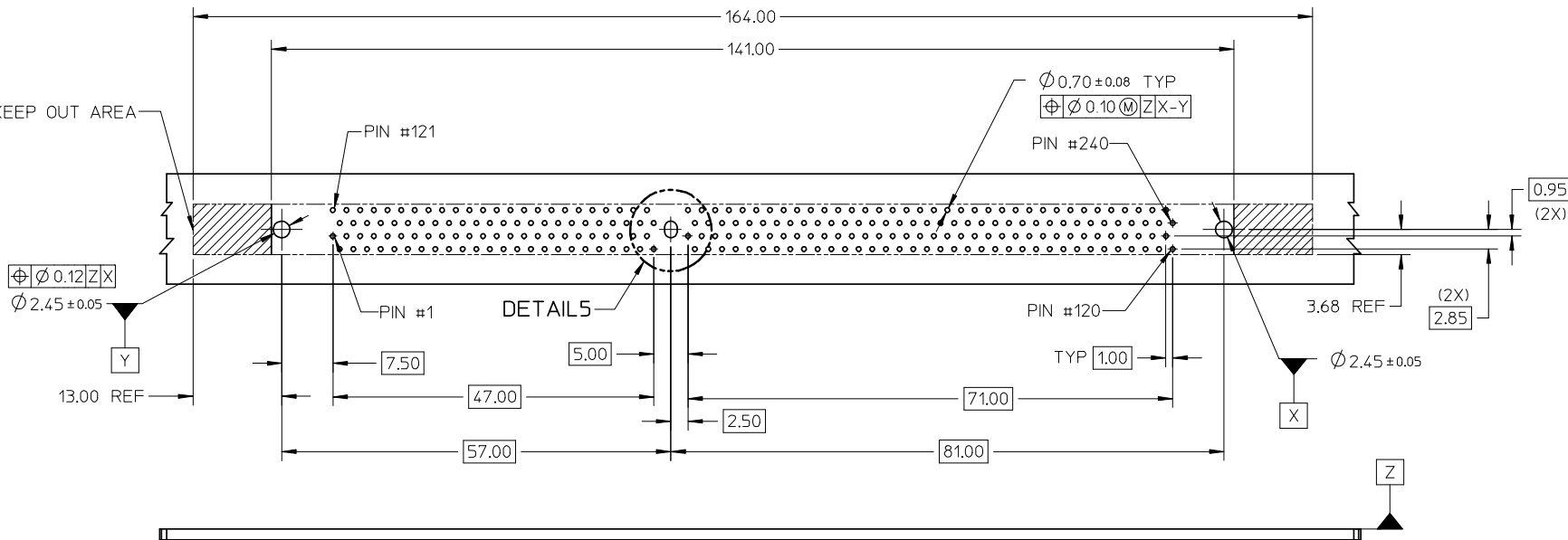
MODULE CARD  
 DDR3 DUAL IN-LINE MEMORY MODULE FAMILY 100MM CONTACT CENTERS  
 (JEDEC MO-269, ISSUE B, MAY 06)



NOTES:  
 1. RECOMMENDED PLATING FOR CONTACT PADS:  
 PREFERRED: 0.76 MICROMETERS GOLD PLATING MIN  
 OVER 2.00 MICROMETERS NICKEL  
 ALTERNATIVE: 0.05-0.75 MICROMETERS GOLD PLATING  
 OVER 2.00 MICROMETERS NICKEL MUST USE AN ELECTRONIC  
 CONTACT GRADE CORROSIVE BARRIER LUBRICANT  
 2. CHAMFER IS OPTIONAL AND IS NOT TO HIT THE GOLD PADS  
 3. LEADING EDGE OF GOLD PADS SPECIFIED BY KEEPOUT ZONE  
 SHALL BE FREE OF BURRS AND EXTERNAL TIE BARS.

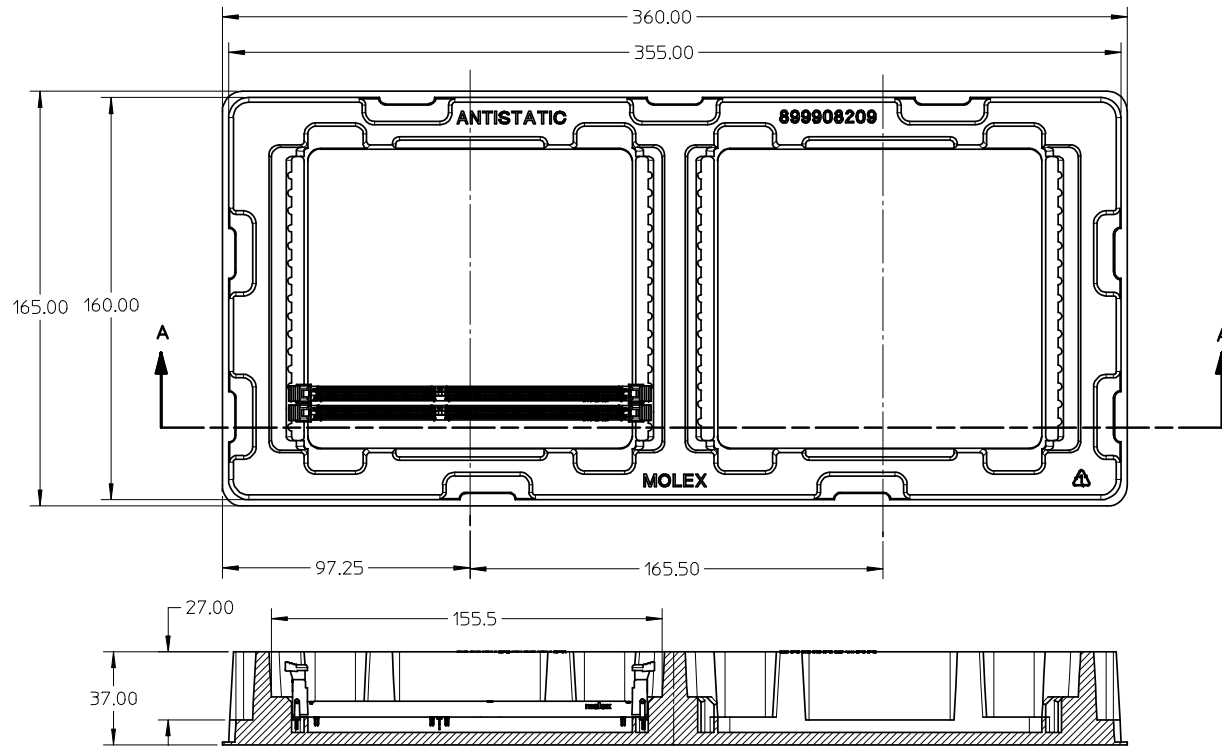
ADD OPTION EC NO: S2008-0176 DRWN: YTYANG01 CHKD: CGTAN APPR: SHLENI 2008/03/18 2008/03/18 2008/03/18	QUALITY SYMBOLS	GENERAL TOLERANCES (UNLESS SPECIFIED)	DIMENSION STYLE	SCALE	DESIGN UNITS	THIRD ANGLE PROJECTION										
	$\nabla = 0$ $\square = 0$	<table border="1"> <tr><th>mm</th><th>INCH</th></tr> <tr><td>4 PLACES</td><td>± --- ± ---</td></tr> <tr><td>3 PLACES</td><td>± --- ± ---</td></tr> <tr><td>2 PLACES</td><td>± 0.2 ± ---</td></tr> <tr><td>1 PLACE</td><td>± --- ± ---</td></tr> </table>	mm	INCH	4 PLACES	± --- ± ---	3 PLACES	± --- ± ---	2 PLACES	± 0.2 ± ---	1 PLACE	± --- ± ---	MM ONLY	NTS	METRIC	
	mm	INCH														
	4 PLACES	± --- ± ---														
	3 PLACES	± --- ± ---														
2 PLACES	± 0.2 ± ---															
1 PLACE	± --- ± ---															
	ANGULAR ± 1 °	DRAWN BY	DATE	TITLE												
		YTYANG01	2006/08/11	DDR3 DIMM, 100MM PITCH 240 CKTS, VERTICAL T/H												
		CHECKED BY	DATE	MOLEX INCORPORATED												
		SHLENI	2006/09/07	DOCUMENT NO. SD-78079-001												
		APPROVED BY	DATE	SHEET NO. 3 OF 7												
		GGLEE	2006/09/07	THIS DRAWING CONTAINS INFORMATION THAT IS PROPRIETARY TO MOLEX INCORPORATED AND SHOULD NOT BE USED WITHOUT WRITTEN PERMISSION												
		MATERIAL NO.	DATE													

1 KEEP OUT AREA



NOTE:  
1. KEEP OUT AREA IS THE AREA WHERE THE CONNECTOR (INCLUDING LATCH) IS MOUNTED ON THE PCB.

ADD OPTION EC NO: S2008-0176 DRWN: YIYANG01 CHKD: CGTAN APPR: SHLENI	DESCRIPTION 2008/03/18 2008/03/18 2008/03/18	QUALITY SYMBOLS	GENERAL TOLERANCES (UNLESS SPECIFIED)		DIMENSION STYLE MM ONLY		SCALE NTS	DESIGN UNITS METRIC	THIRD ANGLE PROJECTION	
		$\nabla = 0$ $\nabla C = 0$	mm	INCH	DRAWN BY YIYANG01	DATE 2006/08/11	TITLE DDR3 DIMM, 100MM PITCH 240 CKTS, VERTICAL T/H			
			4 PLACES ± --- ± ---	3 PLACES ± --- ± ---	CHECKED BY SHLENI	DATE 2006/09/07				
			2 PLACES ± 0.2 ± ---	1 PLACE ± --- ± ---	APPROVED BY GGLEE	DATE 2006/09/07				
		ANGULAR ± 1 °	DRAFT WHERE APPLICABLE MUST REMAIN WITHIN DIMENSIONS		SEE TABLE		MOLEX INCORPORATED			
					SIZE A3	THIS DRAWING CONTAINS INFORMATION THAT IS PROPRIETARY TO MOLEX INCORPORATED AND SHOULD NOT BE USED WITHOUT WRITTEN PERMISSION				
					MATERIAL NO.		DOCUMENT NO.	SHEET NO.		
							SD-78079-001	4 OF 7		



SECTION A-A

NOTES:  
1. QTY OF CAVITY: 15 X 2 = 30 PCS

ADD OPTION EC NO: S2008-0176 DRWN: YTYANG01 2008/03/18 CHKD: CGTAN 2008/03/18 APPR: SHLENI 2008/03/18	DESCRIPTION REV	QUALITY SYMBOLS	GENERAL TOLERANCES (UNLESS SPECIFIED)		DIMENSION STYLE MM ONLY		SCALE NTS	DESIGN UNITS METRIC	THIRD ANGLE PROJECTION	
		$\nabla=0$ $\nabla C=0$	mm	INCH	DRAWN BY YTYANG01	DATE 2006/08/11	TITLE DDR3 DIMM, 1.00MM PITCH 240 CKTS, VERTICAL T/H			
		4 PLACES	± ---	± ---	CHECKED BY SHLENI	DATE 2006/09/07	MOLEX INCORPORATED DOCUMENT NO. SD-78079-001 SHEET NO. 5 OF 7			
		3 PLACES	± ---	± ---	APPROVED BY GGLLEE	DATE 2006/09/07				
		2 PLACES	± 0.2	± ---	ANGULAR ± 1 °		MATERIAL NO.		SEE TABLE	
1 PLACE	± ---	± ---	DRAFT WHERE APPLICABLE MUST REMAIN WITHIN DIMENSIONS		SIZE A3		THIS DRAWING CONTAINS INFORMATION THAT IS PROPRIETARY TO MOLEX INCORPORATED AND SHOULD NOT BE USED WITHOUT WRITTEN PERMISSION			

ASSEMBLY PART NO.	VOLTAGE KEY	HOUSING COLOR	LATCH COLOR	DIM 'P'	RECOMMENDED PCB THICKNESS	PLATING OPTION	PRODUCT SPECIFICATION			
78079-0001	CENTRE (1.5V)	BLACK	BLACK	2.67	1.57	0.38 MICROMETER/ 15 MICROINCH MIN. GOLD ON CONTACT 2.54 MICROMETER/ 100 MICROINCH MIN. PURE TIN ON SOLDER TAILS 1.27 MICROMETER/ 50 MICROINCH MIN. NICKEL UNDERPLATE	PS-78079-001			
78079-0003				3.00	2.18					
78079-0002				3.18	2.36					
78079-0004				3.50	2.54					
78079-0005				4.00	3.18					
78079-0011				2.67	1.57	0.76 MICROMETER/ 30 MICROINCH MIN. GOLD ON CONTACT 2.54 MICROMETER/ 100 MICROINCH MIN. PURE TIN ON SOLDER TAILS 1.27 MICROMETER/ 50 MICROINCH MIN. NICKEL UNDERPLATE	PS-78079-002			
78079-0013				3.00	2.18					
78079-0012				3.18	2.36					
78079-0014				3.50	2.54					
78079-0015				4.00	3.18					
78079-0021				2.67	1.57	0.076 MICROMETER/ 3 MICROINCH MIN. GOLD ON CONTACT 2.54 MICROMETER/ 100 MICROINCH MIN. PURE TIN ON SOLDER TAILS 1.27 MICROMETER/ 50 MICROINCH MIN. NICKEL UNDERPLATE	PS-78079-003			
78079-0023				3.00	2.18					
78079-0022				3.18	2.36					
78079-0024				3.50	2.54					
78079-0025				4.00	3.18					
78079-0051				CENTRE (1.5V)	BLACK	NATURAL (OFFWHITE)	2.67	1.57	0.38 MICROMETER/ 15 MICROINCH MIN. GOLD ON CONTACT 2.54 MICROMETER/ 100 MICROINCH MIN. PURE TIN ON SOLDER TAILS 1.27 MICROMETER/ 50 MICROINCH MIN. NICKEL UNDERPLATE	PS-78079-001
78079-0053							3.00	2.18		
78079-0052							3.18	2.36		
78079-0054							3.50	2.54		
78079-0055							4.00	3.18		
78079-0061							2.67	1.57	0.76 MICROMETER/ 30 MICROINCH MIN. GOLD ON CONTACT 2.54 MICROMETER/ 100 MICROINCH MIN. PURE TIN ON SOLDER TAILS 1.27 MICROMETER/ 50 MICROINCH MIN. NICKEL UNDERPLATE	PS-78079-002
78079-0063							3.00	2.18		
78079-0062							3.18	2.36		
78079-0064							3.50	2.54		
78079-0065							4.00	3.18		
78079-0071	2.67	1.57	0.076 MICROMETER/ 3 MICROINCH MIN. GOLD ON CONTACT 2.54 MICROMETER/ 100 MICROINCH MIN. PURE TIN ON SOLDER TAILS 1.27 MICROMETER/ 50 MICROINCH MIN. NICKEL UNDERPLATE				PS-78079-003			
78079-0073	3.00	2.18								
78079-0072	3.18	2.36								
78079-0074	3.50	2.54								
78079-0075	4.00	3.18								

<b>ADD OPTION</b> EC NO: S2008-0176 DRWN: YTYANG01 2008/03/18 CHKD: CGTAN 2008/03/18 APPR: SHLENI 2008/03/18	QUALITY SYMBOLS	GENERAL TOLERANCES (UNLESS SPECIFIED)	DIMENSION STYLE	SCALE	DESIGN UNITS	THIRD ANGLE PROJECTION
	▽=0 □=0	mm INCH	MM ONLY	NTS	METRIC	
		4 PLACES ± --- ± ---	DRAWN BY DATE	TITLE		
		3 PLACES ± --- ± ---	CHECKED BY DATE	DDR3 DIMM, 100MM PITCH 240 CKTS, VERTICAL T/H		
		2 PLACES ± 0.2 ± ---	APPROVED BY DATE	MOLEX INCORPORATED		
	1 PLACE ± --- ± ---	MATERIAL NO.	DOCUMENT NO.			
	ANGULAR ± 1 °	SEE TABLE	SD-78079-001			
	DRAFT WHERE APPLICABLE MUST REMAIN WITHIN DIMENSIONS	SIZE	SHEET NO.			
		A3	6 OF 7			
		THIS DRAWING CONTAINS INFORMATION THAT IS PROPRIETARY TO MOLEX INCORPORATED AND SHOULD NOT BE USED WITHOUT WRITTEN PERMISSION				

ASSEMBLY PART NO.	VOLTAGE KEY	HOUSING COLOR	LATCH COLOR	DIM 'P'	RECOMMENDED PCB THICKNESS	PLATING OPTION	PRODUCT SPECIFICATION
78079-0101	CENTRE (1.5V)	NATURAL (OFFWHITE)	NATURAL (OFFWHITE)	2.67	1.57	0.38 MICROMETER/ 15 MICROINCH MIN. GOLD ON CONTACT 2.54 MICROMETER/ 100 MICROINCH MIN. PURE TIN ON SOLDER TAILS 1.27 MICROMETER/ 50 MICROINCH MIN. NICKEL UNDERPLATE	PS-78079-001
78079-0103				3.00	2.18		
78079-0102				3.18	2.36		
78079-0104				3.50	2.54		
78079-0105				4.00	3.18		
78079-0111				2.67	1.57	0.76 MICROMETER/ 30 MICROINCH MIN. GOLD ON CONTACT 2.54 MICROMETER/ 100 MICROINCH MIN. PURE TIN ON SOLDER TAILS 1.27 MICROMETER/ 50 MICROINCH MIN. NICKEL UNDERPLATE	PS-78079-002
78079-0113				3.00	2.18		
78079-0112				3.18	2.36		
78079-0114				3.50	2.54		
78079-0115				4.00	3.18		
78079-0121				2.67	1.57	0.076 MICROMETER/ 3 MICROINCH MIN. GOLD ON CONTACT 2.54 MICROMETER/ 100 MICROINCH MIN. PURE TIN ON SOLDER TAILS 1.27 MICROMETER/ 50 MICROINCH MIN. NICKEL UNDERPLATE	PS-78079-003
78079-0123				3.00	2.18		
78079-0122				3.18	2.36		
78079-0124				3.50	2.54		
78079-0125				4.00	3.18		

ADD OPTION EC NO: S2008-0176 DRWN: YTYANG01 2008/03/18 CHKD: GTAN 2008/03/18 APPR: SHLENI 2008/03/18	QUALITY SYMBOLS	GENERAL TOLERANCES (UNLESS SPECIFIED)	DIMENSION STYLE	SCALE	DESIGN UNITS	THIRD ANGLE PROJECTION	
	▽=0 □=0	mm    INCH 4 PLACES ± --- ± --- 3 PLACES ± --- ± --- 2 PLACES ± 0.2 ± --- 1 PLACE ± --- ± --- ANGULAR ± 1 °	MM ONLY	NTS	METRIC	☉ □ THIRD ANGLE PROJECTION	
	DESCRIPTION	DRAFT WHERE APPLICABLE MUST REMAIN WITHIN DIMENSIONS	DRAWN BY	DATE	TITLE		
	REV		CHECKED BY	DATE	DDR3 DIMM, 1.00MM PITCH 240 CKTS, VERTICAL T/H		
			APPROVED BY	DATE	MOLEX INCORPORATED		
		MATERIAL NO.	DATE	DOCUMENT NO.			
		SIZE	THIS DRAWING CONTAINS INFORMATION THAT IS PROPRIETARY TO MOLEX INCORPORATED AND SHOULD NOT BE USED WITHOUT WRITTEN PERMISSION			SHEET NO.	
		A3	SEE TABLE			SD-78079-001	
						7 OF 7	